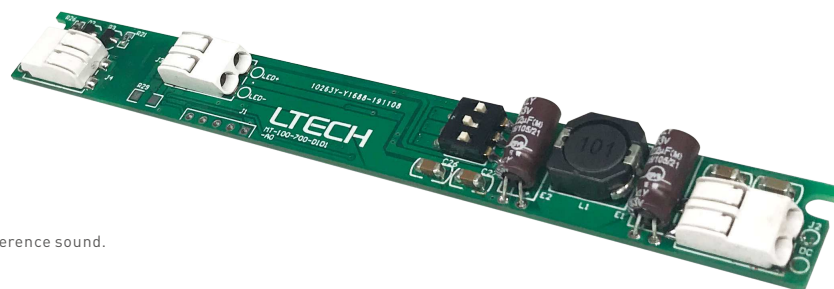


DALI Constant Current Driver

Special for magnetic absorption lamp and linear

- Not polarity
- Multi-current setting
- DC to DC Constant current output
- DALI 2.0 protocol
- Suitable for STUCCHI standard housing
- Magnetic installation application, quiet and without high-frequency interference sound.
- Smooth dimming curve without flicker
- Short circuit, overload, no-load and anti-reverse protection
- Input and output support hot plug
- 3 years warranty

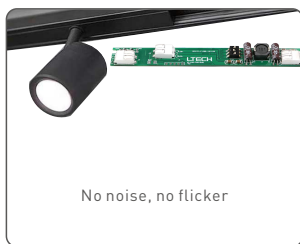


Flicker-free
IEEE 1789



warranty
3 years

CE FC RoHS



No noise, no flicker



Suitable for STUCCHI standard housing
- 9519-166-K
- B 9519-166-K/W



Installation guide

Specification

MODEL	MT-100-400-D1D1	MT-350-700-D1D1
OUTPUT	Output Voltage	10~42Vdc
	Output Current	100-400mA
	Output Power	1W-16.8W
	Current Accuracy	+15mA/-25mA
	Dimming Range	0~100% , dimming depth 1%
	Channel	1
INPUT	Dimming Interface	DALI
	Input Voltage	48Vdc±5% (Not polarity)
	Input Current	0.38A
	Efficiency (Typ)	95%
	Standby power	<0.5W
ENVIRONMENT	Working temperature	ta: -30~60°C
	Storage temperature	-40~80°C
	Working Humidity	20~95%RH, non-condensing
PROTECTION	Over Load Protection	The load voltage is out of range,the current drops until the power is turned on again.
	Non-Load Protection	Prevents damage to the load when it is powered on.
	Short Circuit Protection	Output close,fault self-recovery
	Anti -reverse Protection	Prevent driver and load damage
OTHERS	Dimension	L125×W14.8×H10mm
	Weight (G.W.)	15g±2g

Output Current Selection

* Please select the current through the DIP switch on the circuit board when the power is off.

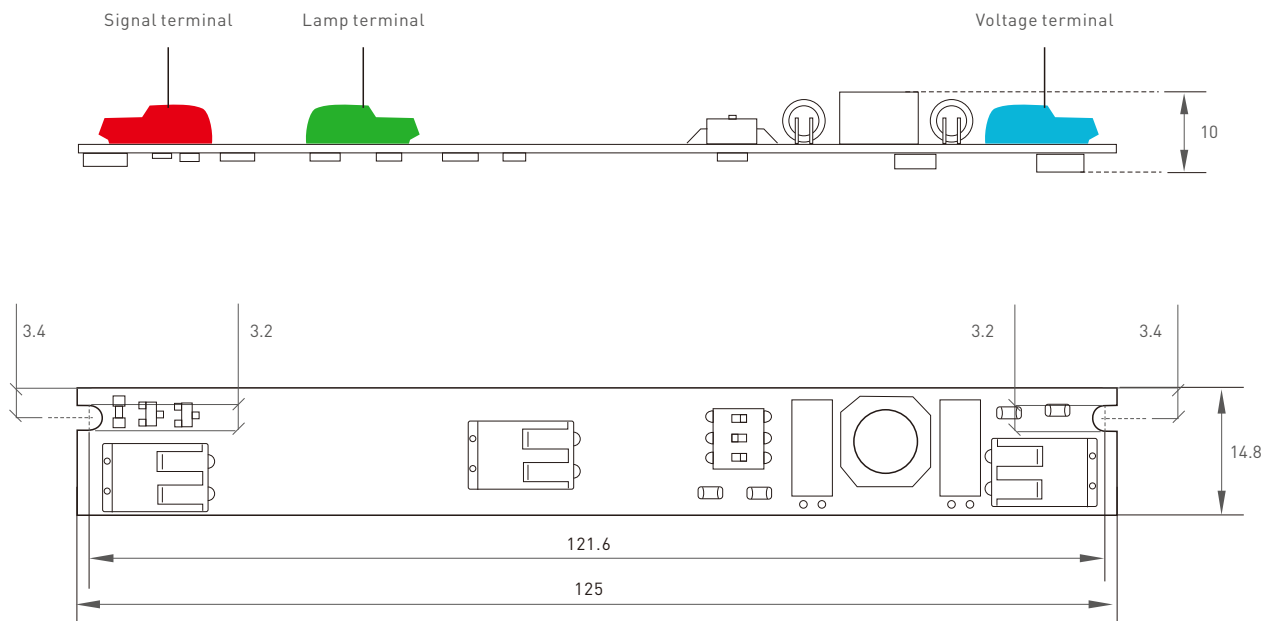


DIP Switch		↑ ↓ ↓	↓ ↑ ↓	↑ ↑ ↓	↓ ↓ ↑	↑ ↓ ↑	↓ ↑ ↑	↑ ↑ ↑	↑ ↓ ON OFF
MT-100-400-D1D1	Output Current	100mA	150mA	200mA	250mA	300mA	350mA	400mA	
	Output Voltage	10-42V	10-42V	10-42V	10-42V	10-42V	10-42V	10-42V	
	Output Power	1-4.2W	1.5-6.3W	2-8.4W	2.5-10.5W	3-12.6W	3.5-14.7W	4-16.8W	

DIP Switch		↓ ↓ ↓	↑ ↓ ↓	↓ ↑ ↓	↑ ↑ ↓	↓ ↓ ↑	↑ ↓ ↑	↓ ↑ ↑	↑ ↑ ↑	↑ ↓ ON OFF
MT-350-700-D1D1	Output Current	350mA	400mA	450mA	500mA	550mA	600mA	650mA	700mA	
	Output Voltage	10-42V	10-42V	10-42V	10-42V	10-42V	10-42V	10-42V	10-42V	
	Output Power	3.5-14.7W	4-16.8W	4.5-18.9W	5-21W	5.5-23.1W	6-25.2W	6.5-27.3W	7-29.4W	

Dimensions

Unit:mm

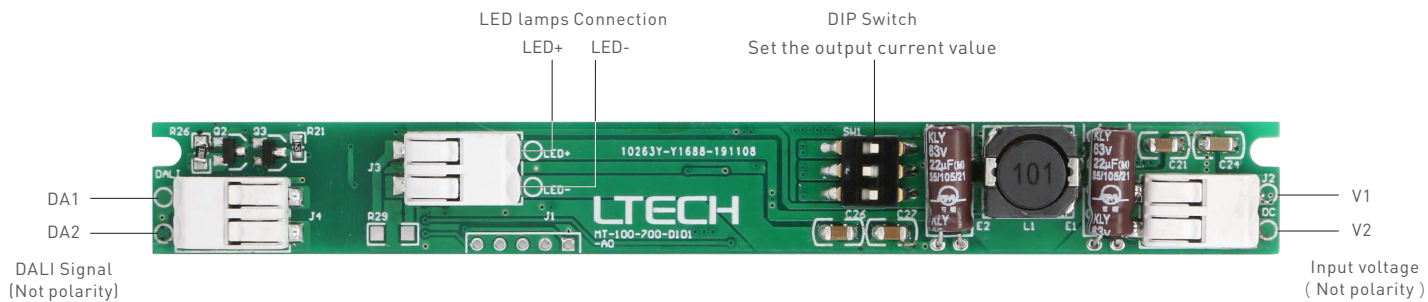


Terminal description

PCB board



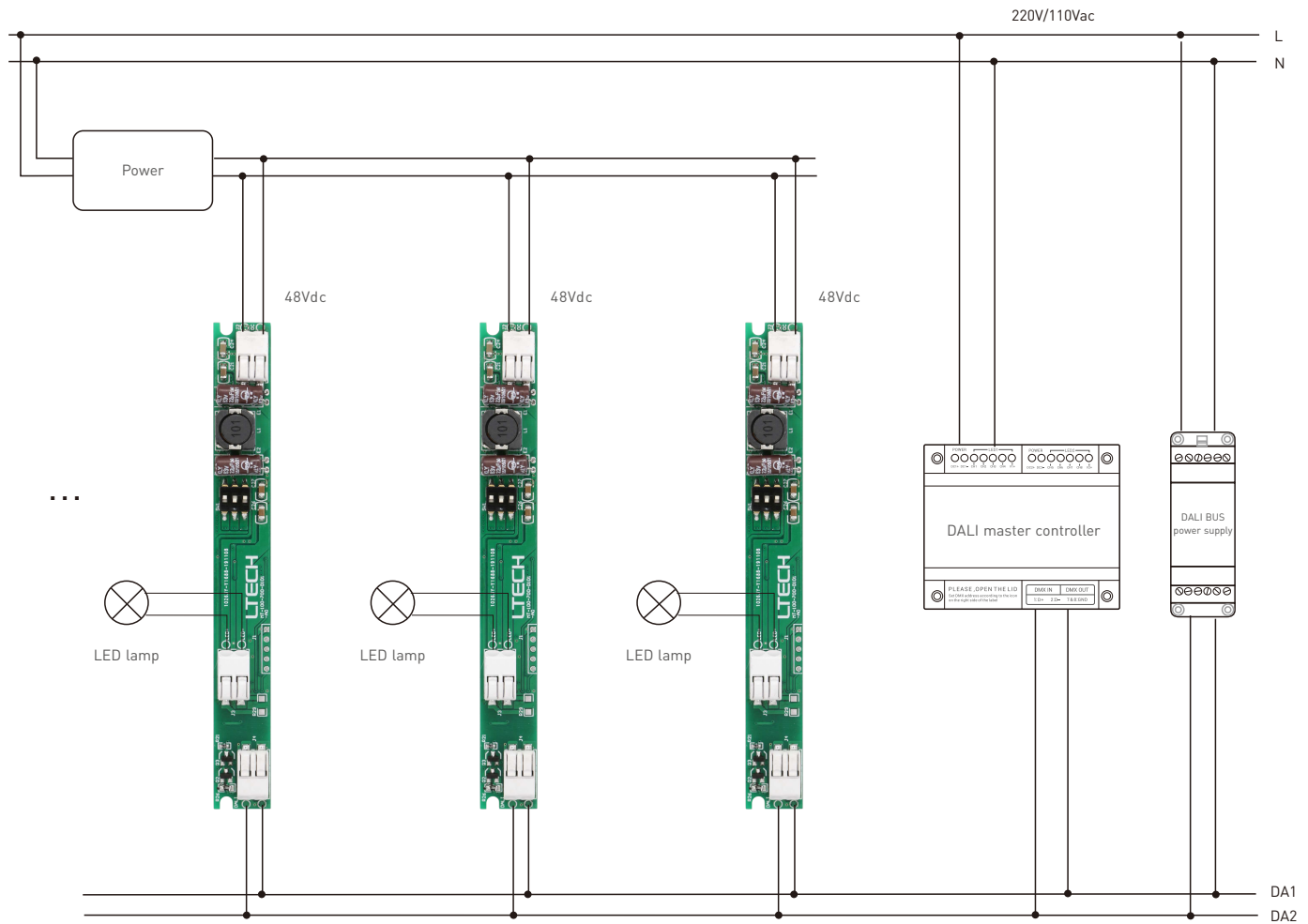
Main view



Side view



Wiring Diagram



* No further notice if any changes in the manual. Product function depends on the goods. Please feel free to contact your supplier if any question.